

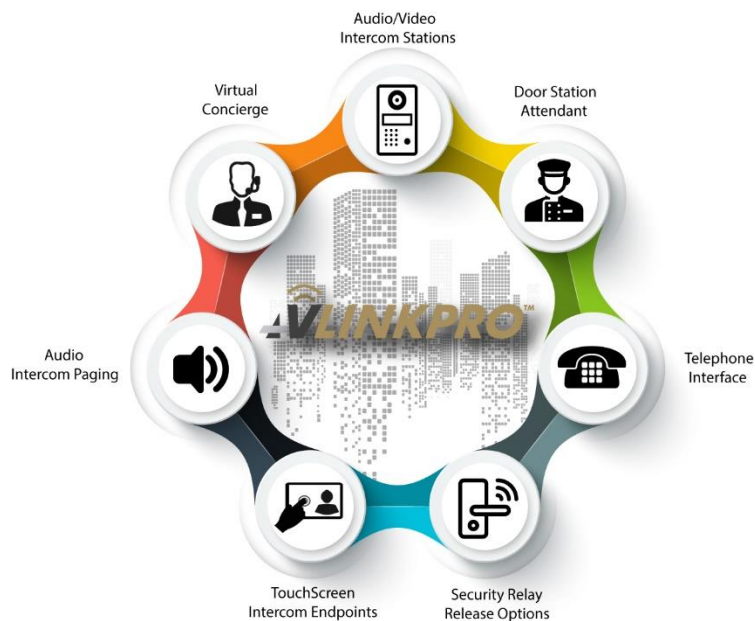
MULTI-DWELLING INTEGRATION

CRESTRON HOME™

AVLinkPro™ is a leader in video intercom communication integration.

Today's smart residence environments call for interaction with a variety of technologies that provide inter-communication at some level to allow for security and safety as well as amenities to benefit the resident.

In the Crestron Smart home environment, AVLinkPro™ has provided a partner solution since early 2018 that allows for full functionality within all Crestron environments for audio and video communication.



Why this solution is important to MDU integration?

- Video intercom from a shared entry point is a vital amenity
- Residents want to have a communication path to concierge
- The ability to preview a visitor before allowing access is a key feature
- Residents want to be able to allow visitors to gain access to enter
- Integration within the Crestron ecosystem benefits the system, the resident as well as the building management and security position
- Such an amenity compliments the building security and convenience
- Real estate properties prove to be more attractive with such amenities



A Luxurious Multi Dwelling Residence On Lake Ontario

Royal Port on the shores of Lake Ontario is designed to impart residents with stunning waterfront views and advanced amenities such as Crestron smart home automation and control technology. Featuring fully centralized lighting control and heating/cooling control and video intercom communication. Located in the historic Port Dalhousie neighbourhood of St. Catharines, Royal Port is steps away from sightseeing and recreational amenities such as Lakeside Park Beach, Port Dalhousie Pier Marina, Dalhousie Yacht Club, and the Waterfront Walking Trail. The project overseen by Rankin Construction, Inc. includes the security and audio video solutions provided by Dell Smart Home Systems of St. Catherines, Ontario.

Dell Smart Home Solutions, a certified Crestron partner and leading provider of custom home electronics in the Niagara region of Ontario, who specializes in cabling, whole house audio, home security, home theatre, and home automation reached out to **AVLinkPro™**, a Tier One Crestron partner manufacturer to provide a unique security and communication solution for the individual residences.



Jason Dell and his team work closely with Interior Designers and Architects to help them, help their clients, make educated decisions on what is important to them with regards to wiring their home while they have the opportunity during a renovation or new build.

Royal Port by Rankin Properties



51 Luxury Suites with Waterfront Views

1 & 2 Bedroom Suites with Den Options (800-1500 sq. ft.)

3 Penthouse Suites (1400-2200 sq. ft.)

Number of Floors: **8**

Integration in each residence: **Crestron Home**

Total Crestron touch screens dedicated to intercom: **51**

Crestron systems being controlled in each residence:

Lighting, Thermostats, Audio, Video, Shades, other

Main door entry device: **DoorBird DK21KV** video intercom

The Challenge:

- To provide connectivity for the common door video intercom through the Crestron Home enabled touch screen panels.
- Provide for possible connectivity to a concierge or main office.
- To allow the Crestron touch panels the ability to release the door intercom relay during the call.
- To provide all these features in an enterprise level to all end points.
- To integrate the solution given that resident will have their own internet service provider (ISP) and localized Crestron solution.

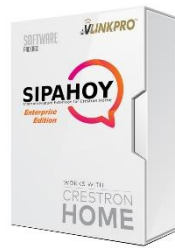
The Solution:

AVLinkPro™ is recognized as the technology leader in communication bridge technology to allow single residence and multiple dwelling spaces connect via intercom and other communication devices.

Installing the **AVLinkPro™ LP360RM** large scale PBX Bridge system that will manage and coordinate the MDU intercom solution through a network VLAN to each condominium. The **AVLinkPro™ CLIO8+** PoE switch will be installed in each apartment to allow for VLAN Connection to the building network without interfering with the residents router or local ISP.

The **AVLinkPro™ SIPAHYOY Enterprise** platform will be utilized to enable maximum communication between endpoints as required.





Project includes:

- 1 x AVLinkPro™ LP360 SIP PBX Bridge
- 1 x SIPAHYO Enterprise platform for Crestron Home
- 49 x AVLinkPro™ CLIO+8 PoE Layer 2+ network switches

Crestron Home Residential Intercom Multi Dwelling Unit

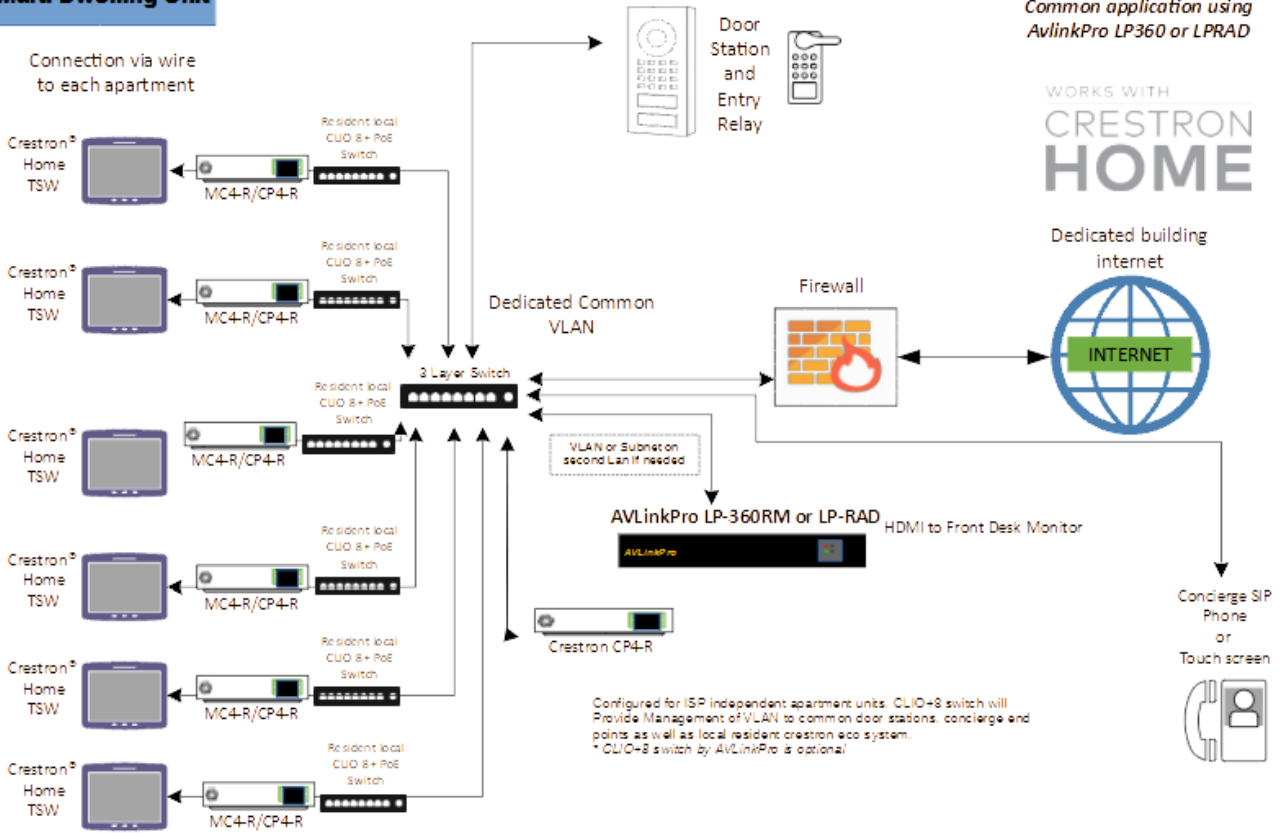
Enhanced MDU Door-Station Connection with AVLinkPro™

Connection VIA Internet from common building ISP

Common application using AVlinkPro LP360 or LPRAD

WORKS WITH **CRESTRON HOME**

Dedicated building internet



Each residence having independent ISP uses the AVlinkPro CLIO 8+ 2+ layer VLAN enabled network switch



Automation Devices				
Applications	Conferencing	Queues	Automation Devices	
Crestron Panel Setup	Crestron Home	Crestron Dial Groups	Crestron Routing	Crestron Templates
				Crestron MDU
Tenants Status: Enabled <input checked="" type="checkbox"/> Enable				
Tenants:				
Show 10 entries Search				
ID	Tenant Name	Email	Actions	
1	APT 54	tenant@gmail.com	<input checked="" type="checkbox"/>	<input checked="" type="checkbox"/>
2	APT 10A	rob@gmail.com	<input checked="" type="checkbox"/>	<input checked="" type="checkbox"/>
3	Apartment 1A	Fyy@gmail.com	<input checked="" type="checkbox"/>	<input checked="" type="checkbox"/>
4	Apartment 20B		<input checked="" type="checkbox"/>	<input checked="" type="checkbox"/>
Showing 1 to 4 of 4 entries Previous 1 Next				



www.avlinkpro.com

866-937-2833